



FEATURES

- Comprehensive integration
- EAW Focusing
- U-Net (audio and communications network)
- EAW Pilot Control and communications
- 1500 watts of class leading power

APPLICATIONS

Corporate A/V, any small to medium sized live sound reinforcement, performing arts venues, houses of worship, retail, ballrooms, theaters, theme parks – these products are far more visually appealing to the installation crowd due to their cabinet design and bracket kits.

DESCRIPTION

The KFNT Series of comprehensively integrated loudspeakers pack even more features, capability and application flexibility into an ultra-compact package. Each KFNT features class-leading neodymium components, co-axial mid/high frequency components, 1500W of amplification, EAW Focusing processing, software-accessible DSP, the proprietary U-Net network and readily adaptable enclosure designs. All models natively offer a combination of portable features and M10 installation points, while available universal accessories include trim plates that hide handles and provide a connection point for u-brackets, quick release flytrack segments that integrate into any enclosure and adjustable legs for use as a stage monitor.

ORDERING DATA

Description	Part Number
EAW KF364NT Black Active Speaker 115 V	2034650-00
EAW KF364NT Black Active Speaker 230 V	2034650-01
Optional Accessories	
M10 × 37mm Forged Shoulder Eyebolt	0029818
EAW U-Bracket Adjustable S1 BLK [UBKT-S1]	2035474
EAW ACC Leg Adjustable S (2 Per) [ACC-LGS]	2035438
EAW ACC Flytrack S (2 Per) [ACC-FTS]	2035439
EAW ACC Cover Plate S (2 Per) BLK [ACC-CPS]	2035473
Fly Clip with Ring	0001386

COMPLIANCE:

CE	EN 60065:2002, EN55103-1:1997, EN 55103-2:1997, EN 55103-1, EN55103-2, EN60065
CSA	CAN/CSA 60065-03, UL Std No. 60065-03
FCC	Part 15

3-WAY SELF-POWERED LOUDSPEAKER 60° × 45°

See *NOTES TABULAR DATA* for details

CONFIGURATION

Subsystem:

Transducer	Loading
LF 2× 10 in cone	Vented
MF 1× 1.4 in exit, 3.5 in compression mid	Horn-loaded
HF 1× 1.4 in exit, 1.75 in voice compression driver	Horn-loaded

Operating Mode:	Amplifier Channels	Signal Processing
	Bi-amp LF, MF/HF	DSP w/ EAW Focusing

ACOUSTICAL PERFORMANCE

Operating Range:	64 Hz to 20 kHz
Nominal Beamwidth:	
	Horz 60°
	Vert 45°

Axial Output Limit (whole space SPL):		Peak
Calculated	Average	
LF/HF	127 dB	133 dB

ELECTRICAL PERFORMANCE

Input	Type	Electronically balanced XLRF
	Sensitivity	2.5 V / 10 dBu at Limit 6.2 V / 18 dBu at Clip
	Impedance	20 k ohm (balanced to chassis), 10 k ohm (unbalanced)
	Wiring	Pin 1: chassis, Pin 2: signal +, Pin 3: signal -
	Loop	Electronically balanced XLRM

DSP (50 Mflop 32 bit Sharc):

Encoding	24 Bit / 48 kHz
Filters	Proprietary
Latency	2.97 ms

User Addressable DSP

Array	Box
EQ	10 Parametric
Delay	1200 ms
Level	15 dB +/-

Amplifier	LF	MF/HF
	Type Modified Class D	Modified Class D
	Maximum Output 63 V, 1000 W @ 4 ohm	45 V, 500 W @ 4 ohm
	THD + noise < 0.3%	< 0.1%
	Dynamic Range > 105 dB	> 102 dB
	Driver Protection Integral DSP limiting	

AC Mains (Nominal)

Connector	Neutrik PowerCon®	
	115 V	230 V
Input	100 V to 120 V	220 V to 240 V
Frequency	50 Hz to 60 Hz	50 Hz to 60 Hz
Current:	Idle 0.25 A	0.15 A
	In Rush 0.9 A	0.6 A
	Output Limit 1.6 A	1.0 A
	Fuse Rating 10 A	6.3 A

Input Selection	Analog, AES Ch 1, AES Ch 2, U-Net (1 – 64)
------------------------	--

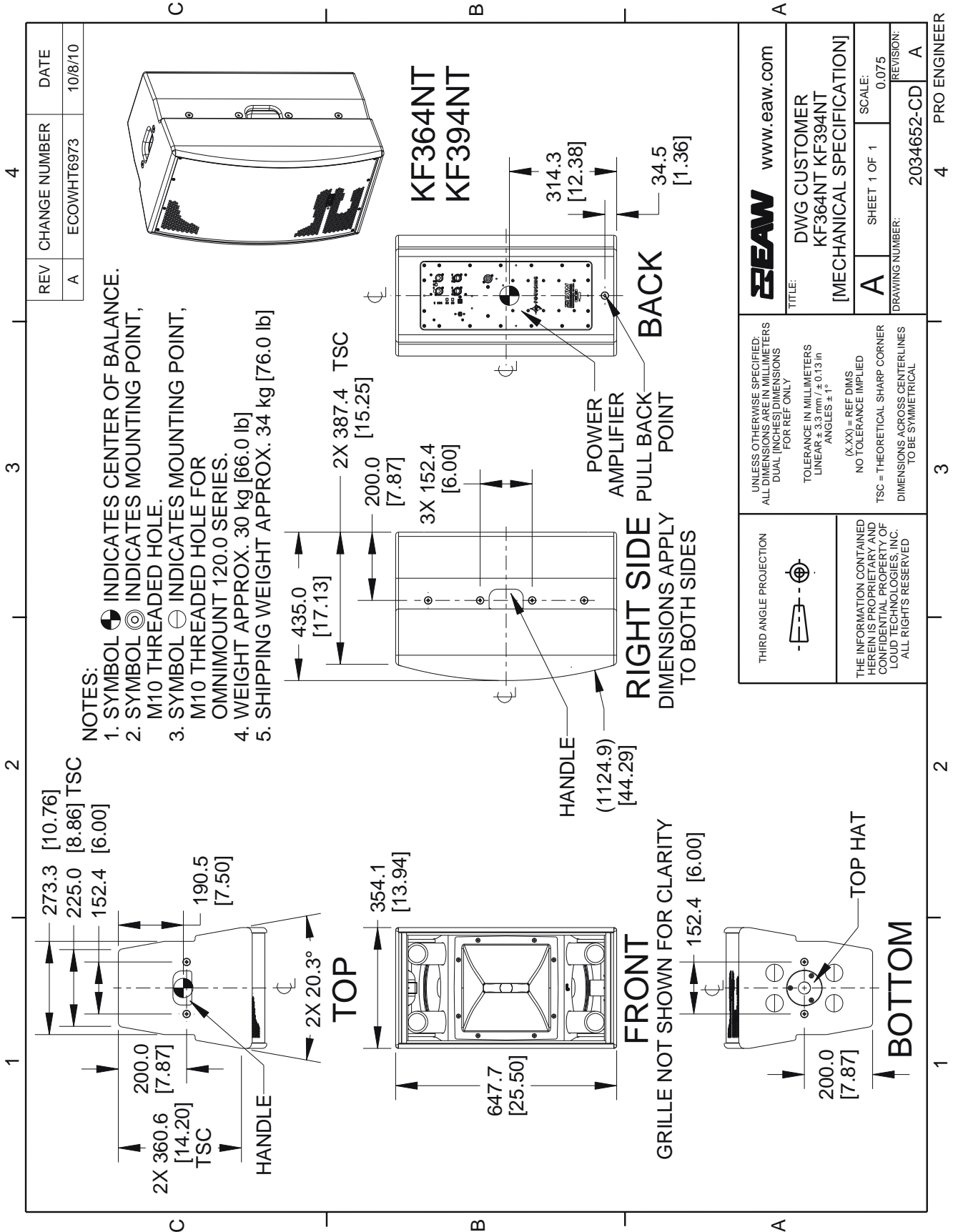
Communication	USB, U-Net 1, U-Net 2
----------------------	-----------------------

CONTROLS

High Pass Filter	55 Hz / 80 Hz / 110 Hz
Mode	Normal / Coupled / Monitor

INDICATORS (LED)

Signal Present	System Gain
Limit Active	Rear Speaker DSP
Clip	Input Selection
Amplifier Status	U-Net Status



NOTE: This drawing has been reduced. Do not scale.

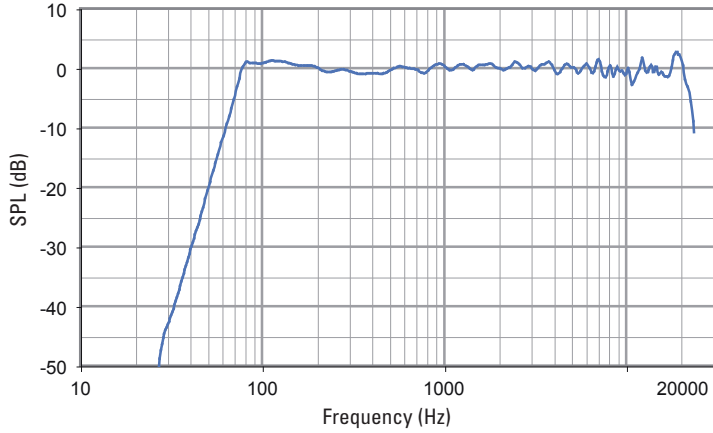


PERFORMANCE DATA

See *NOTES GRAPHIC DATA* for details

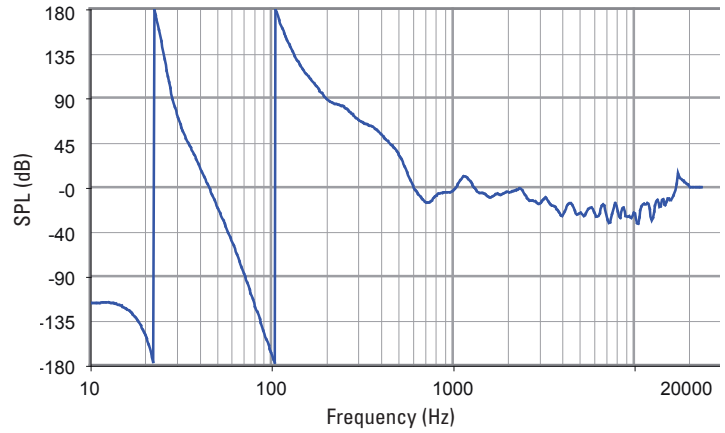
Frequency Response: Processed Multi-Amp

Complete = blue



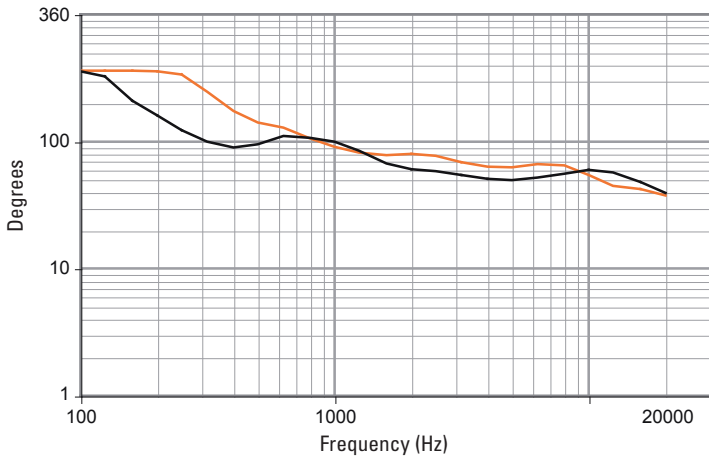
Phase Linearity

Complete = blue



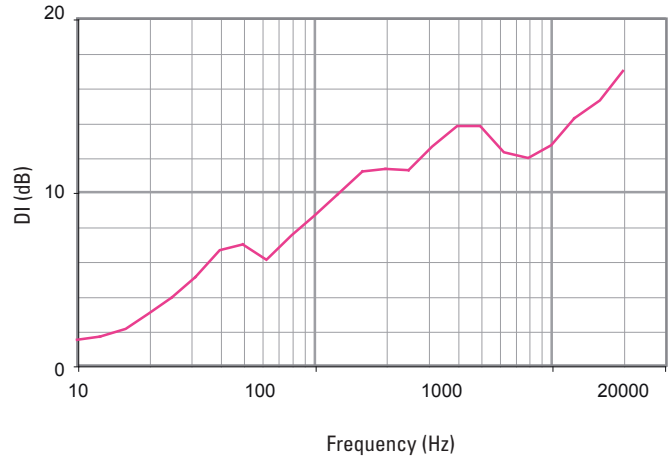
Beamwidth (-6 dB SPL Points)

Horizontal = orange Vertical = black



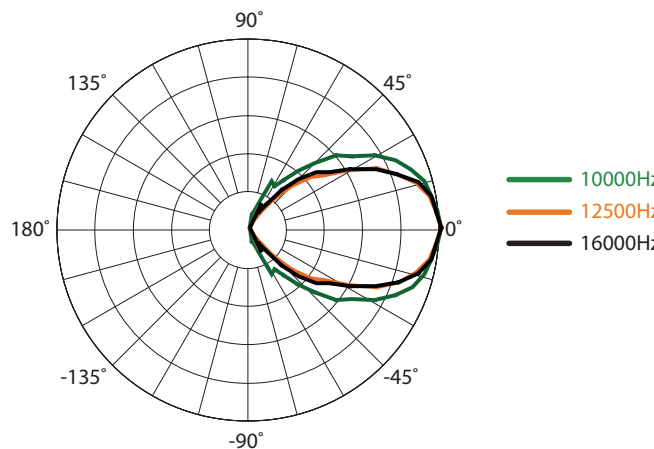
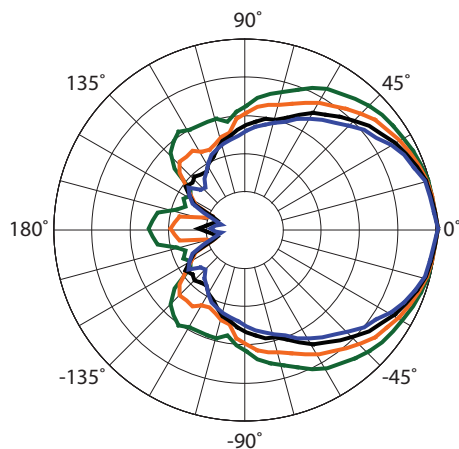
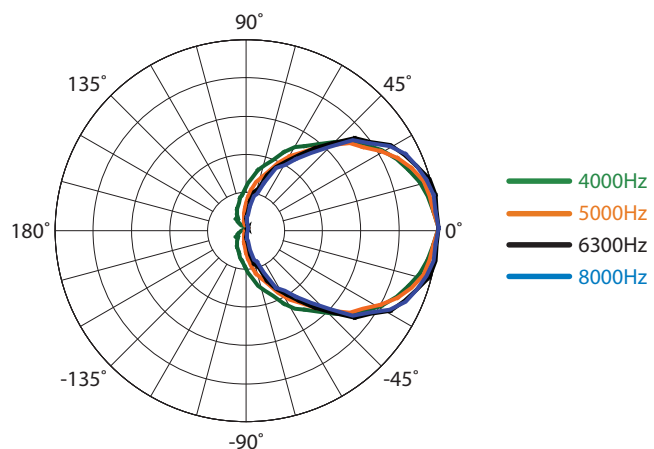
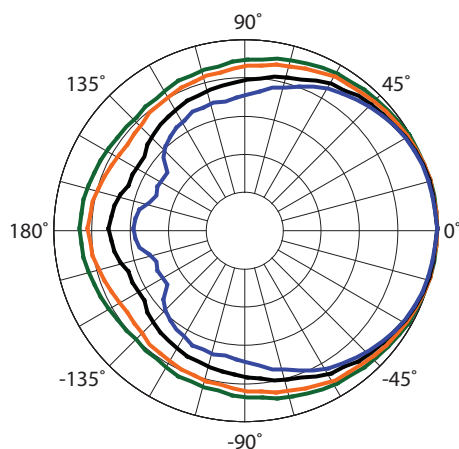
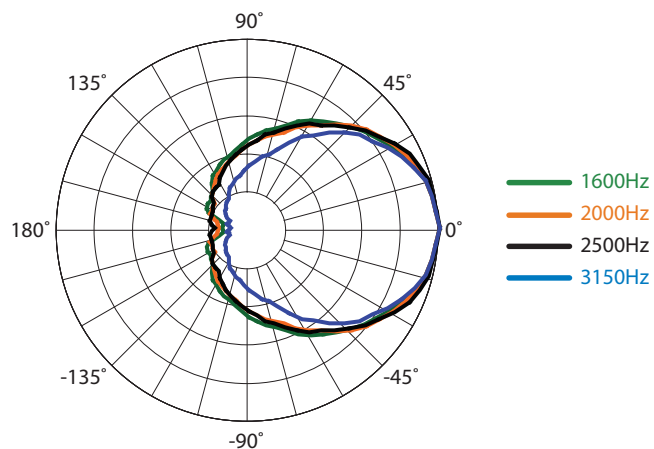
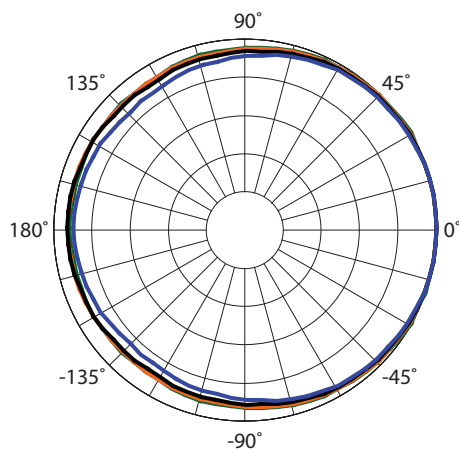
Directivity Index

Complete = pink



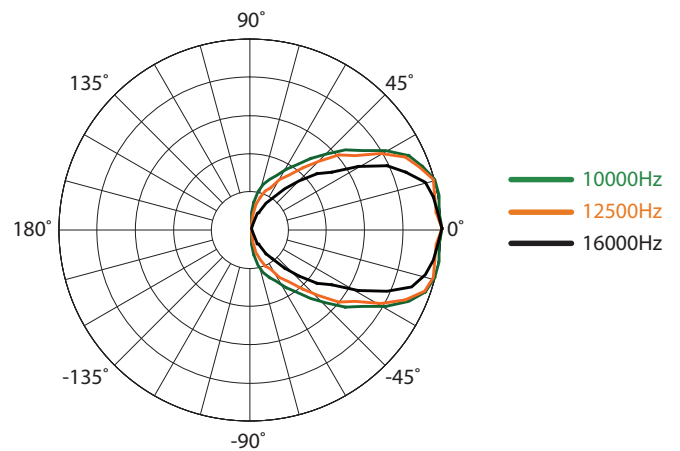
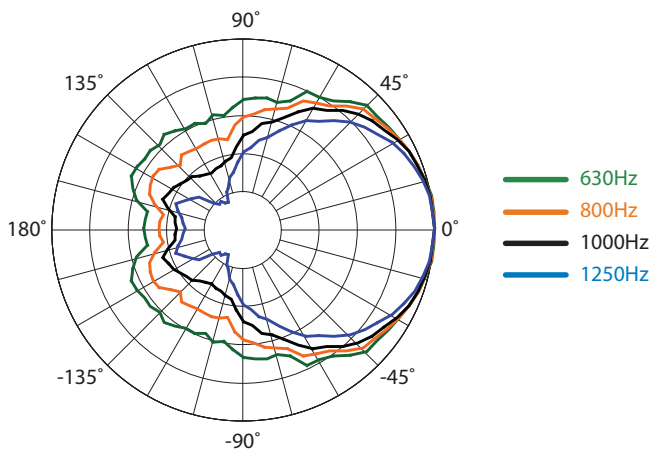
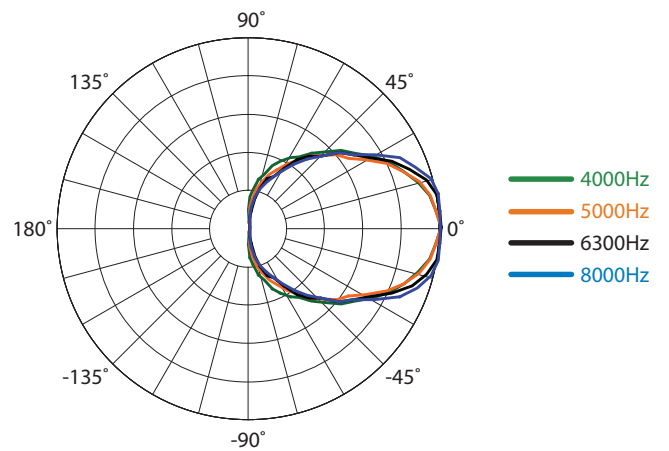
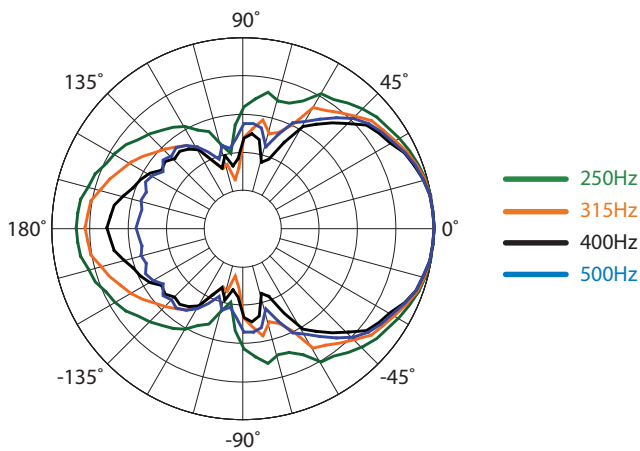
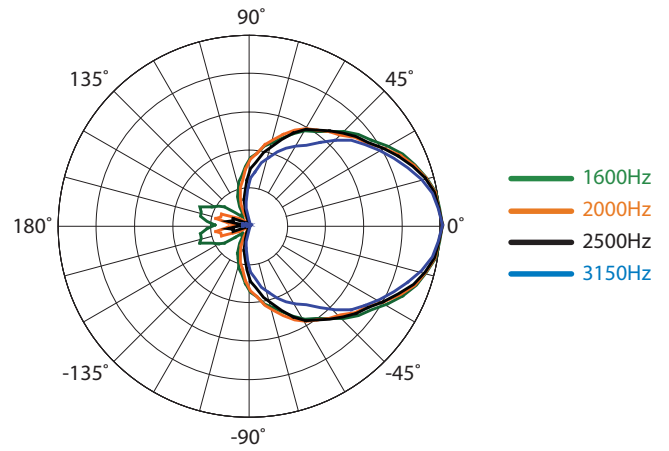
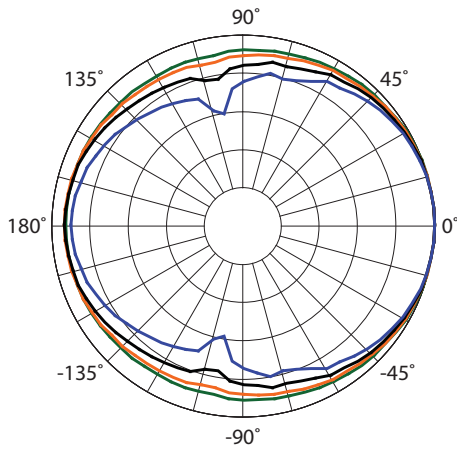
HORIZONTAL POLAR DATA

See *NOTES GRAPHIC DATA* for details

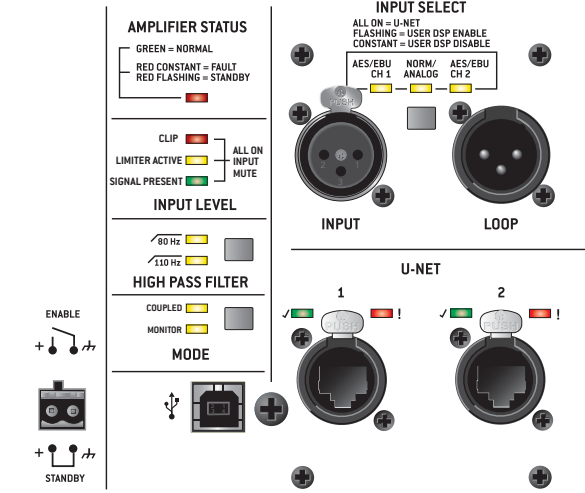


VERTICAL POLAR DATA

See *NOTES GRAPHIC DATA* for details



INPUT PANEL

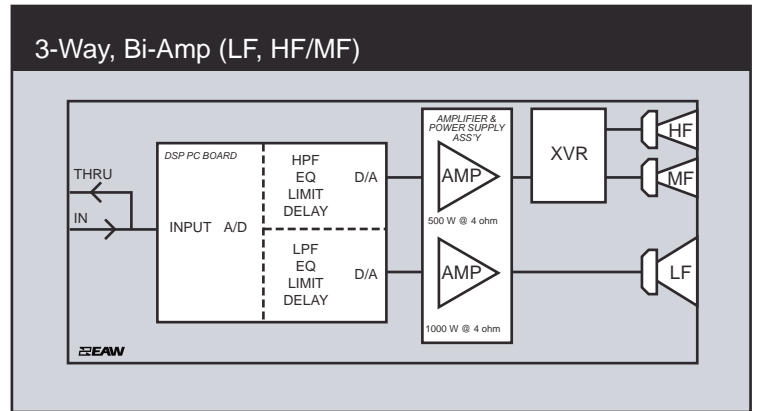


THIS EQUIPMENT COMPLIES WITH THE LIMITS FOR A CLASS-A DIGITAL DEVICE AS DESCRIBED BY FCC RULES AND THE CANADIAN DEPARTMENT OF COMMUNICATIONS, ICES-003. THIS EQUIPMENT GENERATES, USES, AND CAN RADIATE RADIO FREQUENCY ENERGY AND MAY CAUSE HARMFUL INTERFERENCE TO RADIO COMMUNICATIONS. OPERATION OF THIS EQUIPMENT IN A RESIDENTIAL AREA IS LIKELY TO CAUSE INTERFERENCE TO ELECTRICAL DEVICES.

WARNING
 RISK OF ELECTRIC SHOCK DO NOT OPEN
 THROUGH THE REAR OF THE UNIT OR ELECTRIC SHOCK TO YOU
 EXPOSE THE EQUIPMENT TO RAIN OR MOISTURE, DO NOT REMOVE COVER,
 NO USER SERVICEABLE PARTS INSIDE. REFER SERVICE TO QUALIFIED PERSONNEL.
 AVIS: RISQUE DE CHOC ELECTRIQUE — NE PAS OUVRIR

AC MAINS
 100-120 V ~
 50-60 Hz 140W

SIGNAL DIAGRAM



LEGEND

- DSP:** EAW UX8800 Digital Signal Processor –or– Integral Digital Signal Processing for NT products.
- HPF:** High Pass Filter for crossover –or– Recommended High Pass Filter.
- LPF:** Low Pass Filter for crossover.
- LF/MF/HF:** Low Frequency / Mid Frequency / High Frequency.
- AMP:** User Supplied Power Amplifier –or– Integral Amplifier for NT products.
- XVR:** Passive LPFs, HPFs, and EQ integral to the loudspeaker.
- EAW Focusing:** Digital Signal Processor capable of implementing EAW Focusing.

NOTES

TABULAR DATA

1. **Measurement/Data Processing Systems:** Primary - FChart: proprietary EAW software; Secondary - Brüel & Kjær 2012.
2. **Microphone Systems:** Earthworks M30; Brüel & Kjær 4133
3. **Measurements:** Dual channel FFT; length: 32 768 samples; sample rate: 48 kHz; logarithmic sine wave sweep.
4. **Measurement System Qualification** (includes all uncertainties): SPL: accuracy +/-0.2 dB @ 1 kHz, precision +/-0.5 dB 20 Hz to 20 kHz, resolution 0.05 dB; Frequency: accuracy +/-1 %, precision +/-0.1 Hz, resolution the larger of 1.5 Hz or 1/48 octave; Time: accuracy +/-10.4 µs, precision +/-0.5 µs, resolution 10.4 µs; Angular: accuracy +/-1°, precision +/-0.5°, resolution 0.5°.
5. **Environment:** Measurements time-windowed and processed to eliminate room effects, approximating an anechoic environment. Data processed as anechoic or fractional space, as noted.
6. **Measurement Distance:** 7.46 m. Acoustic responses represent complex summation of the subsystems at 20 m. SPL is referenced to other distances using the Inverse Square Law.
7. **Enclosure Orientation:** For beamwidth and polar specifications, as shown in Mechanical Specification drawing.
8. **Volts:** Measured rms value of the test signal.
9. **Watts:** Per audio industry practice, "loudspeaker watts" are calculated as voltage squared divided by rated nominal impedance. Thus, these are not True Watt units of energy as defined by International Standard.
10. **SPL:** (Sound Pressure Level) Equivalent to the average level of a signal referenced to 0 dB SPL = 20 microPascals.
11. **Subsystem:** This lists the transducer(s) and their acoustic loading for each passband. Sub = Subwoofer, LF = Low Frequency, MF = Mid Frequency, HF = High Frequency.
12. **Operating Mode:** User selectable configurations. Between system elements, a comma (,) = separate amplifier channels; a slash (/) = single amplifier channel. DSP = Digital Signal Processor. **IMPORTANT:** To achieve the specified performance, the listed external signal processing must be used with EAW-provided settings.
13. **Operating Range:** Range where the processed Frequency Response stays within -10 dB SPL of the power averaged SPL within this range; measured on the geometric axis. Narrow band clips are excepted.
14. **Nominal Beamwidth:** Design angle for the -6 dB SPL points, referenced to 0 dB SPL as the highest level.
15. **Axial Sensitivity:** Power averaged SPL over the Operating Range with an input voltage that would produce 1 W at the nominal impedance; measured with no external processing on the geometric axis, referenced to 1 m.
16. **Nominal Impedance:** Selected 4, 8, or 16 ohm resistance such that the minimum impedance point is no more than 20% below this resistance over the Operating Range.
17. **Accelerated Life Test:** Maximum test input voltage applied with an EIA-426B defined spectrum; measured with recommended signal processing and Recommended Protection Filter.
18. **Calculated Axial Output Limit:** Highest average and peak SPLs possible during the Accelerated Life Test. The Peak SPL represents the 2:1 (6 dB) crest factor of the Life Test signal.
19. **High Pass Filter:** This helps protect the loudspeaker from excessive input signal levels at frequencies below the Operating Range.

GRAPHIC DATA

1. **Resolution:** To remove insignificant fine details, 1/12 octave cepstral smoothing was applied to acoustic frequency responses and 1/3 octave cepstral smoothing was applied to the beamwidth and impedance data. Other graphs are plotted using raw data.
2. **Frequency Responses:** Variation in acoustic output level with frequency for a constant input signal. Processed: normalized to 0 dB SPL. Unprocessed inputs: 2 V (4 ohm nominal impedance), 2.83 V (8 ohm nominal impedance), or 4 V (16 ohm nominal impedance) referenced to a distance of 1 m.
3. **Processor Response:** The variation in output level with frequency for a constant input signal of 0.775 V = 0 dB reference.
4. **Beamwidth:** Average angle for each 1/3 octave frequency band where, starting from the rear of the loudspeaker, the output first reaches -6 dB SPL referenced to 0 dB SPL as the highest level. This method means the output may drop below -6 dB SPL within the beamwidth angle.
5. **Impedance:** Variation in impedance magnitude, in ohms, with frequency without regard to voltage/current phase. This means the impedance values may not be used to calculate True Watts (see 9 above).
6. **Polar Data:** Horizontal and vertical polar responses for each 1/3 octave frequency band 100 Hz to 16 kHz or Operating Range.