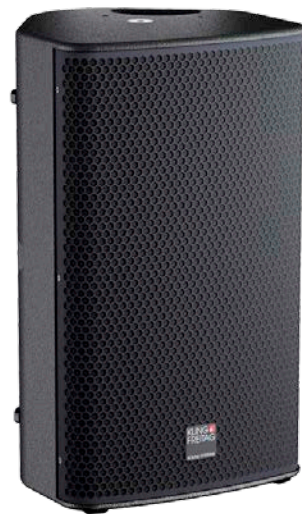


# GRAVIS 12+ N

- Full range system 12" / 1,4"
- Coverage angles 65° x 50°
- 134 dB max SPL
- 35° and 55° monitor angles
- Good handling by low weight and ergonomic handles



The GRAVIS 12+ N is a compact, light high performance speaker in a multifunctional enclosure for the ProRental application. The full range speaker has a biaxial structure and is equipped with a 12" low frequency chassis and a 1,4" high frequency driver on a pivoting 65° x 50° CD horn. In smaller or midsize applications it is the appropriate main system for voice and music performances. In larger and complex applications, it may be used as delay, fill or effect speaker, but also as floor wedge.

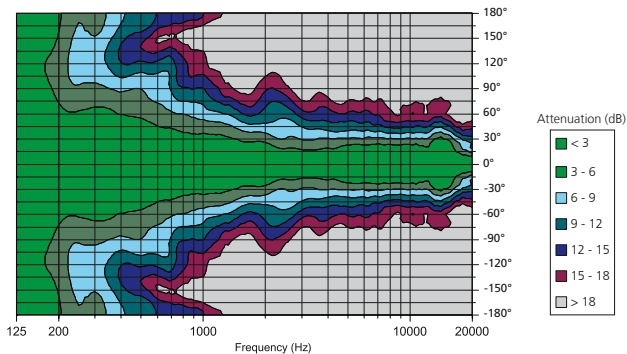
The GRAVIS 12+ N has a discreet visual aspect. The speaker front is protected by a grille, underlaid with opaque black foam. The enclosure has got two different monitor angles, permitting to adjust the sound field according to the actors. All surfaces in contact with the ground are protected by plastic sliding feet. The two Speakon bushes sunked -in the enclosure to protected them against damages. Ergonomic handles permit the comfortable transport of the box, and the easy lifting in a higher position (e.g. on a stand). Accessories are fastened quickly and safe to the VariPoint®, complying with the BGV C1.

The maximum sound pressure level of 134 dB offers high dynamic resources, especially for live applications. Also, the GRAVIS 12+ N is offering the neutral and at the same time natural sound character which is typical for K&F.

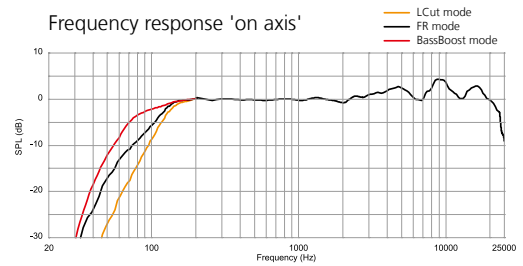
Loudspeaker	
<b>Design</b>	Passive 2-way Bass reflex system (K&F SystemRack or K&F TOPAS is required for use)
<b>Frequency response -10 dB</b>	65 Hz - 22 kHz (FR mode) 49 Hz - 22 kHz (BassBoost mode)
<b>Frequency response ±3 dB</b>	95 Hz - 20 kHz (FR mode) 62 kHz - 20 kHz (BassBoost mode)
<b>Nominal Coverage angles</b>	65° x 50° (hor. x vert.)
<b>Power handling</b>	400 W nominal <sup>1)</sup> 800 W program <sup>2)</sup>
<b>Max SPL (1m)</b>	134 dB SPL
<b>Components</b>	12" woofer with 1,4" compression driver
<b>Loudspeaker / Chanal</b>	3
<b>Impedance (nominal)</b>	8 Ω
<b>Connectors</b>	(+1/-1) 2 x Speakon® 4-pol NLT4MP IN parallel to OUT
Enclosure	
	15 mm Multiplex enclosure with 35° and 55° monitor angle with highly resistable Polyurea synthetic coating in black, integrated pole mount flange, ergonomic handles on top and bottom for horizontal and vertical transport, sunk-in connector panel, 5 K&F VariPoint® for fast and safe suspension with Lifting Pin or eyebolt or to fasten Adjustable Speaker Mount or U-Mount Wall / Ceiling Bracket, 13 non-abrasive plastic sliding feet on the bottom and both monitor angles, ball proof steel grille with black acoustic foam behind the grille
<b>Dimensions (W x H x D)</b>	350 x 596 x 318 mm
<b>Weight</b>	17,8 kg
<b>Accessories</b>	see catalogue or <a href="http://www.kling-freitag.com">www.kling-freitag.com</a>

<sup>1)</sup> Pink noise 40 - 5000 Hz, 2 h; <sup>2)</sup> as <sup>1)</sup> but with 50% duty cycle

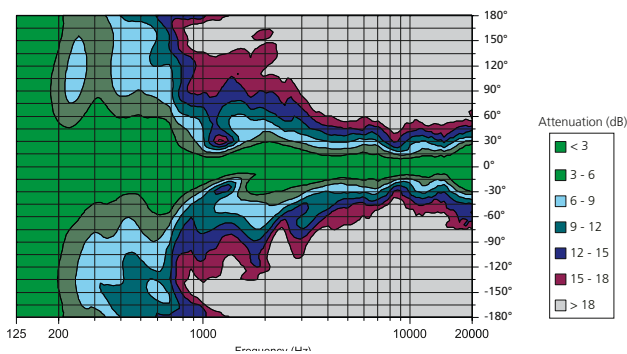
Horizontal coverage pattern



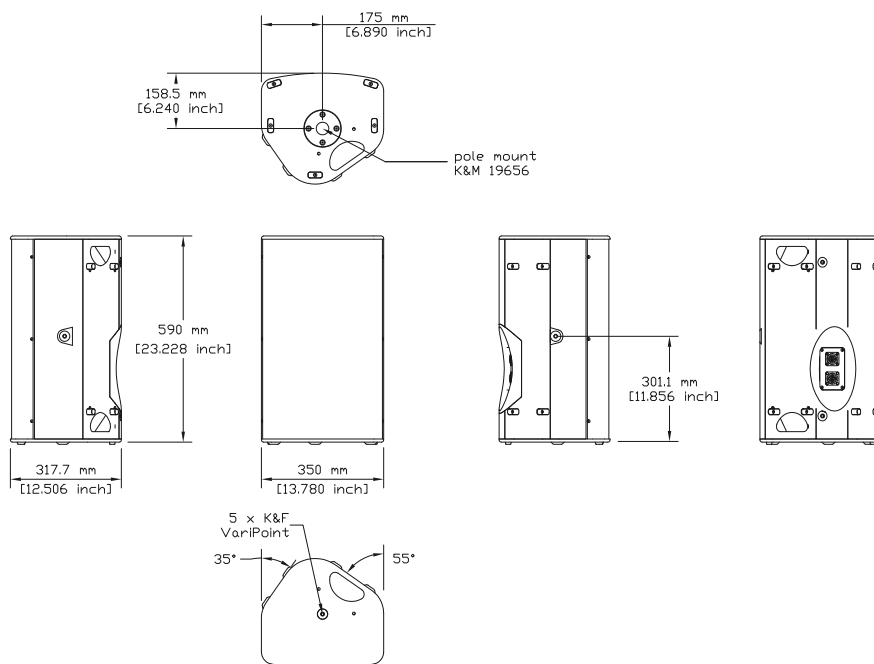
Frequency response 'on axis'



Vertical coverage pattern



All measurements under free field conditions. Frequency patterns 1/6 octave averaged. Coverage and polar pattern 1/3 octave averaged. The manufacturer reserves the right to make product alterations to improve product quality without prior notice. Errors excepted.



Further information and data like specifications, manuals, technical drawings as DWG, DXF and PDF files as well as data files for acoustic simulations with Ease and Ulysses are available on our web site [www.kling-freitag.de](http://www.kling-freitag.de)

**KLING & FREITAG GmbH**  
Junkersstrasse 14  
D-30179 Hannover  
Tel. +49 (0)511 96 99 7-0  
Fax +49 (0)511 67 37 94