

# GRAVIS 15 W

- Compact full-range system 15" / 1.4"
- Operation with K&F SystemRack or K&F TOPAS
- Nominal coverage angle of 90° x 50° (rotatable)
- 135 dB max. SPL
- 35° and 55° installation angle for monitor application
- Easy handling due to low weight, ergonomic handle, integrated lifting flange



The K&F GRAVIS 15 W is a compact, light-weight, high-performance speaker in a multifunctional housing. The compact full-range speaker is particularly suitable for heavy duty use in the demanding ProRental segment, and is equipped with an 15" subwoofer chassis, a 1.4" high-frequency driver on a rotatable 90° x 50° CD horn and a passive crossover. Depending on the type of application, the 2-way system can be used as a main system for speech and music sonication at smaller to medium-sized events. In larger and more complex applications, it is recommended to use it as a centre or offset system, or as a fill-in or effect speaker. Due to the small footprint and outstanding performance, the speaker can also be used as a high-quality stage monitor.

The design of the GRAVIS 15 W is discreet and functional. The front of the speaker is protected by a grille behind black, opaque filter foam. For an alternative setup, the housing has two alignment angles for monitor operation on stage. All trays are protected from damage by plastic sliders, and the Speakon sockets are recessed. The speaker can be easily carried by the ergonomic handle and, thanks to its low weight and integrated lifting flange, it is very easy to position on high stands or stand surfaces. The swivel bracket can be fixed quickly and securely to the VariPoint® without using tools (in compliance with BGV C1).

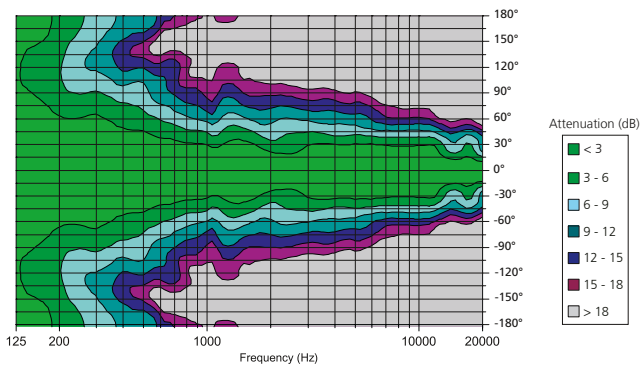
The K&F SystemRack, which is specified for operation, or the K&F TOPAS for the installation application, allows a variety of system combinations, such as one with the high-performance subwoofers of the K&F NOMOS range.

With its maximum sound pressure level of 135 dB, the K&F GRAVIS 15 W provides high dynamic reserves precisely for live applications. It also has the neutral and natural sound character that is typical for K&F.

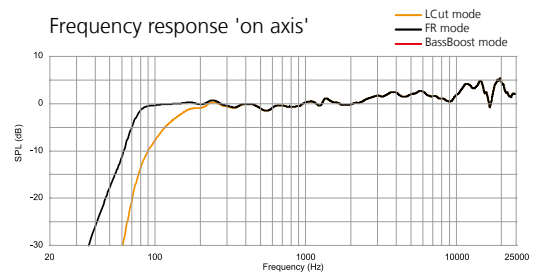
Loudspeaker	
<b>Design</b>	Passive 2-way bass reflex system (K&F SystemRack or K&F TOPAS is required for use)
<b>Frequency response -10 dB</b>	74 Hz – 22 kHz (LCut Mode) 54 Hz – 22 kHz (FR Mode) 52 Hz – 22 kHz (BassBoost Mode)
<b>Frequency response ±3 dB</b>	100 Hz – 20 kHz (LCut Mode) 64 Hz – 20 kHz (FR Mode) 60 Hz – 20 kHz (BassBoost Mode)
<b>Nominal Coverage angles</b>	90° x 50° (hor. x vert.)
<b>Power handling</b>	500 W nominal (IEC 268-5) <sup>1</sup> 1000 W program <sup>2</sup> 2000 W peak
<b>Max SPL (1m)</b>	135 dB SPL
<b>Components</b>	15" woofer with 1,4" compression driver with 75 mm membrane on a rotatable CD-Horn
<b>Loudspeaker / Channel</b>	2
<b>Impedance (nominal)</b>	8 Ω
<b>Connectors</b>	(1+/-) 2 x Speakon® 4-pol NLT4MP IN parallel to OUT
Enclosure	
	15 mm Multiplex enclosure with 35° and 55° monitor angle with highly resistable Polyurea synthetic coating in black, integrated pole mount flange, ergonomic handles on top and bottom for horizontal and vertical transport, sunk-in connector panel, 5 K&F VariPoint® for fast and safe suspension with Lifting Pin or eyebolt or to fasten Adjustable Speaker Mount or U-Mount Wall / Ceiling Bracket, 13 non-abrasive plastic sliding feet on the bottom and both monitor angles, ball proof steel grille with black acoustic foam behind the grille
<b>Dimensions (W x H x D)</b>	418 x 671 x 384 mm
<b>Weight</b>	25,9 kg
<b>Accessories</b>	see catalogue or <a href="http://www.kling-freitag.com">www.kling-freitag.com</a>

<sup>1)</sup> Pink noise 40 - 5000 Hz, 2 h; <sup>2)</sup> as <sup>1)</sup> but with 50% duty cycle

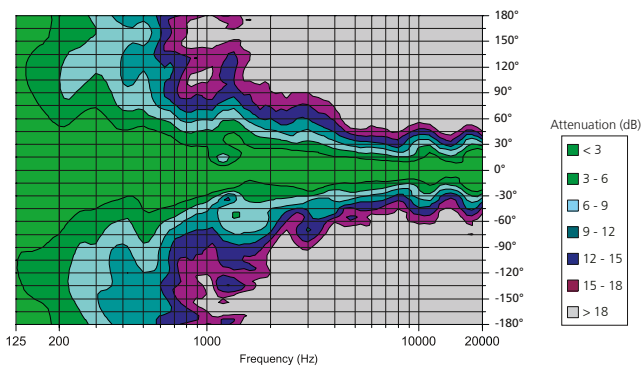
Horizontal coverage pattern



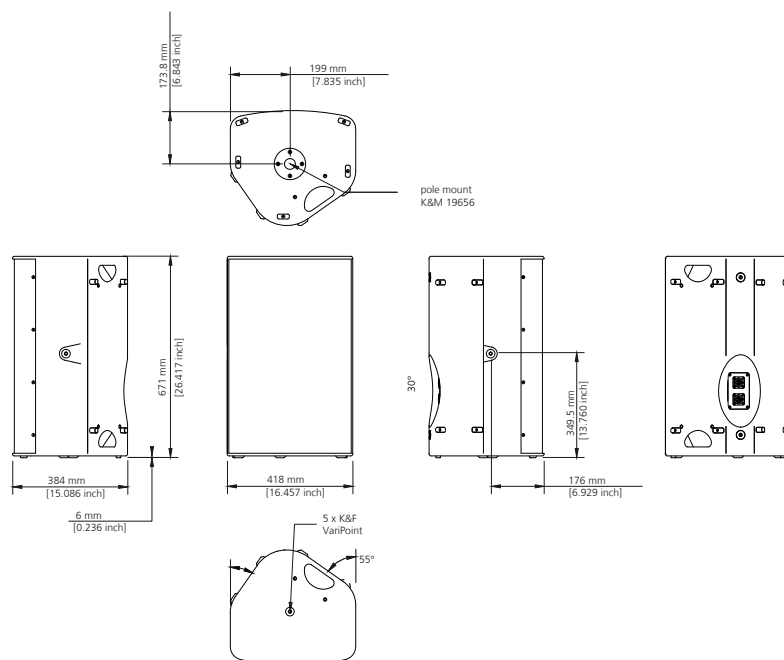
Frequency response 'on axis'



Vertical coverage pattern



All measurements under free field conditions. Frequency patterns 1/6 octave averaged. Coverage and polar pattern 1/3 octave averaged. The manufacturer reserves the right to make product alterations to improve product quality without prior notice. Errors excepted.



Further information and data like specifications, manuals, technical drawings as DWG, DXF and PDF files as well as data files for acoustic simulations with Ease and Ulysses are available on our web site [www.kling-freitag.de](http://www.kling-freitag.de)

**KLING & FREITAG GmbH**  
Junkersstrasse 14  
D-30179 Hannover  
Tel. +49 (0)511 96 99 7-0  
Fax +49 (0)511 67 37 94